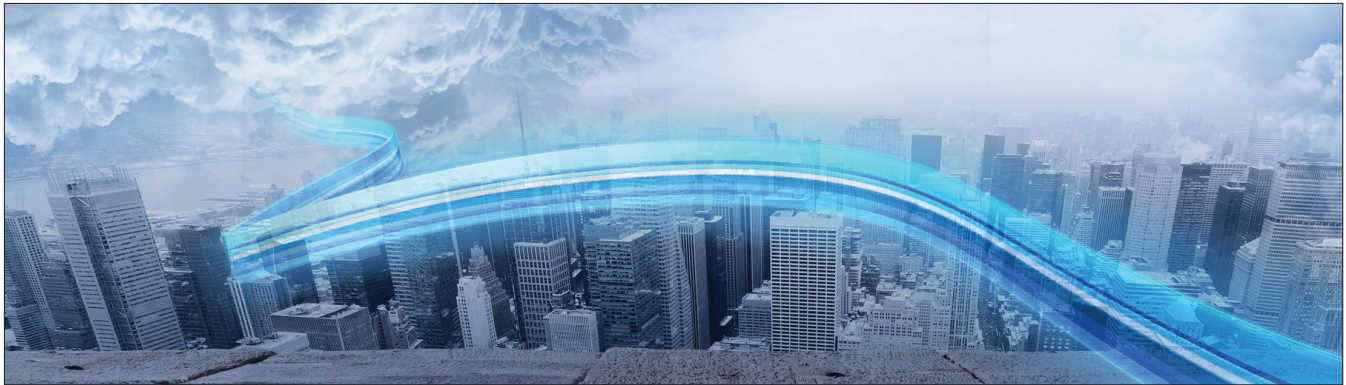


LEVEL 3[®] CLOUD CONNECT SOLUTIONS – SELF-SERVICE TO AWS

NOW YOUR NETWORK EXPERIENCE CAN MATCH YOUR CLOUD EXPERIENCE



Enterprises like yours are moving to hybrid cloud/multi-cloud environments to leverage the hyper-scalable user experience of the cloud. But some are suffering from legacy static connections that choke agility. Enterprises need their network providers to offer Ethernet circuits that are as flexible and agile as the very clouds they are connecting to, your organization's cloud strategy could be facing unforeseen obstacles.

Level 3 Cloud Connect Solutions can provide a layer 2 Ethernet connection that offers this flexibility to Amazon Web Services. You'll have the ability to add and delete VLANs over your Ethernet virtual circuit (EVC) to your AWS Virtual Private Clouds (VPC).* This portal-based, self-service functionality enables you to rapidly connect to your VPCs as you optimize and move your cloud-based workloads. Combine it with Level 3SM Dynamic Capacity and Level 3SM Enhanced Management to gain more control and visibility for on-demand cloud deployments and workload moves.

Features

Control: Self-service ability to add and remove VLANs to AWS in near real-time via the MyLevel3SM customer portal.

Flexibility: Share bandwidth across AWS Virtual Private Cloud Instances.

Security: Establish a private layer 2 connection via Level 3's global network to your AWS multi-cloud environment.

The screenshot shows the 'Service Inventory' page with a 'Manage VLANs' modal window open. The modal displays details for a service and a table of VLANs.

VLAN	Request History							
View, create and delete VLANs below								
4 of 4 VLANs								
VLAN ID	CE-VLAN	AWS Region	AWS Account ID	VGW ID	YOUR PEER IPs	AWS PEER IPs	BGP ASN	Status
508		us-west-2					8000	Active
509		us-west-2					8000	Awaiting Activation
513		us-west-2					8000	Active
514		us-west-2					8000	Active

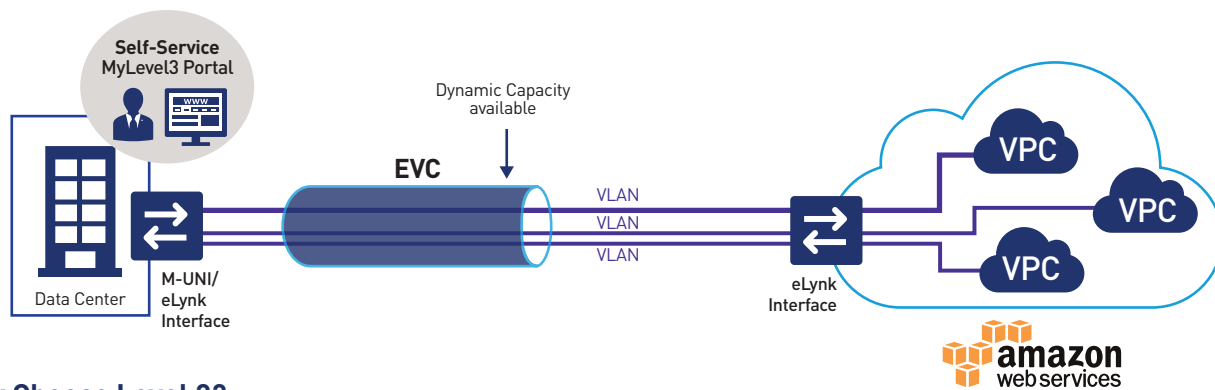
*VLAN self-service feature is for AWS Virtual Private Cloud access. VLAN self-service feature is not currently available to create connections to directly access AWS public services such as S3. If you need access to AWS publicly addressed services, Level 3 offers multiple private connectivity solutions to connect to AWS public services. Please contact your Level 3 account team for more information.

Benefits

Performance: Deliver cloud-based, mission-critical applications quickly and without interruption with Level 3's highly redundant fiber network.

Security: As a private network, your connection is inherently secure and minimizes exposure to external threats. Level 3's vast network, widespread visibility and portfolio of security services add additional layers of protection.

Efficiency: Level 3SM Dynamic Capacity enables real-time self-service and on-the-fly bandwidth adjustments via MyLevel3SM customer portal to address fluctuating traffic demands



Why Choose Level 3?

Level 3[®] Cloud Connect Solutions provide private connectivity to recognized cloud service providers (CSPs), including Amazon AWS, Microsoft Azure and the Google Cloud Platform. With extensive layer 1, 2 and 3 connectivity options on a global basis for most major CSPs, we can provide solutions that meet your business needs. Level 3 also offers both hosted and dedicated connections to AWS globally.**

RELIABLE PERFORMANCE



Maintain control over the end-to-end performance of applications as you migrate them to public cloud.

SIMPLIFIED SECURITY



When choosing private connectivity, the applications you migrate and optimize to the cloud are within your trusted perimeter.

SIMPLIFIED SECURITY



SDN lifecycle service orchestration allows you to take control of your user experience and dynamically respond with Level Adaptive Network Control Solutions.

GLOBAL CONNECTIVITY



Connect offices around the world to the local cloud and data center resources needed to run mission-critical applications.

ABOUT LEVEL 3

We operate and take end-to-end responsibility for network solutions that connect you to the world. We put customers first and take ownership of reliability and security across our broad portfolio.

1.877.4LEVEL3 | INFO@LEVEL3.COM
LEVEL3.COM

**Access options vary by location